

### GEZE 500 DOOR CLOSERS

Floor springs for 1-leaf single and double action doors up to 1100mm leaf width.

#### GEZE TS 500NV

##### Product features:

- Overall height 42mm
- Back check
- Closing force adjustable size 1-4 according to EN1154 (TS 500 NV) Closing force size 3
- Closing speed adjustable
- Latching action adjustable (TS 500 NV)
- Galvanised cement box
- Safety valve preventing deliberate overloading
- Closing range from approx. 1700mm
- Large adjustment range:
  - Height 6mm
  - Lateral 10mm
  - Length 10mm

##### Cover plates:

Various cover plates with screw accessories are available for GEZE floor springs.

Cover plates can be used for both right and left hand closing single-action doors and for double-action doors.

##### Pivot lever/guide rail

For the installation of a floor spring for a single-action door a special pivot lever and door rail with a pivot point of 36mm is required.

##### Standard version/scope of delivery

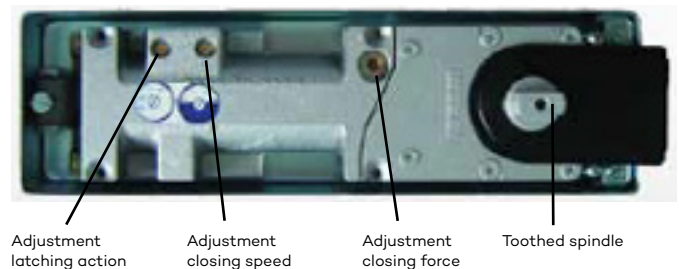
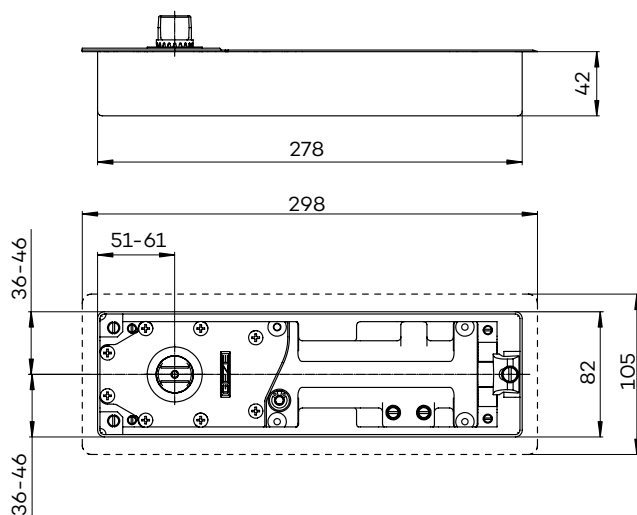
Floor spring complete with flat-tapered spindle, cement box and installation instructions. Without hold-open mechanism (cover plate not included).

##### Special versions:

- With hold-open mechanism 85°, 90°, 105° and 120°
- With extended spindle up to 50mm (5mm selection)

##### Application range:

- For right and left hand closing single-action doors
- For internal double-action doors
- For leaf width up to 1100mm
- For leaf weights up to 150kg



### NOVAS DOOR CONTROLS

GEZE Hydraulic door closers are designed to suit various residential and commercial applications. By definition, door closers are used to close hinged leaf doors after they have been manually opened. The smooth closing operation is controlled by the adjustable hydraulic rack and pinion mechanism.

In choosing a closer style for a particular application consideration should be given to the type of door being controlled, frame condition, aesthetic and the control features required by the end user.

The size and weight of the door is the main consideration in selecting a closer of the correct strength. Recommended door widths for each closer assume normal operating conditions. If a door is of exceptional height, weight, special construction, or if air pressure differentials exist, a more powerful closer should be considered.

A door closer effectively increases the loading on door hinges and their rate of wear. It is recommended that any door fitted with a door closer should use three or more Novas Ball Bearing/Sintered Bearing Hinges.

It is essential that the door be clear in the door frame and when fitted with a lock the latch bolt must engage freely with the strike.

Floor or wall mounted doorstops should be fitted to prevent possible damage to the door frame and fitted hardware.

#### **Services**

Novas offers a fully comprehensive (free of charge) specification/door scheduling service to meet project requirements. Door schedules are prepared by our scheduling team who are all design and/or industry trained professionals. Please contact your local Novas representative for assistance.

#### **Guarantee**

Novas guarantee all their products against defects in workmanship and materials subject to inspection and confirmation of fair wear and tear within the normal working life of the product.

Novas assumes no liability for:

1. Improper installation or failure to follow fitting instructions.
2. Product failure due to improper maintenance or unfair wear and tear.
3. Indirect or consequential loss or damage.
4. Cost of removal and/or replacement.
5. Cost of freight and/or travelling expenses.
6. Some plated finishes are classified as soft finishes. Deterioration is possible under some climatic conditions and cannot be unconditionally guaranteed.

Contact your local Novas representative or agent for advice on all finishes.

