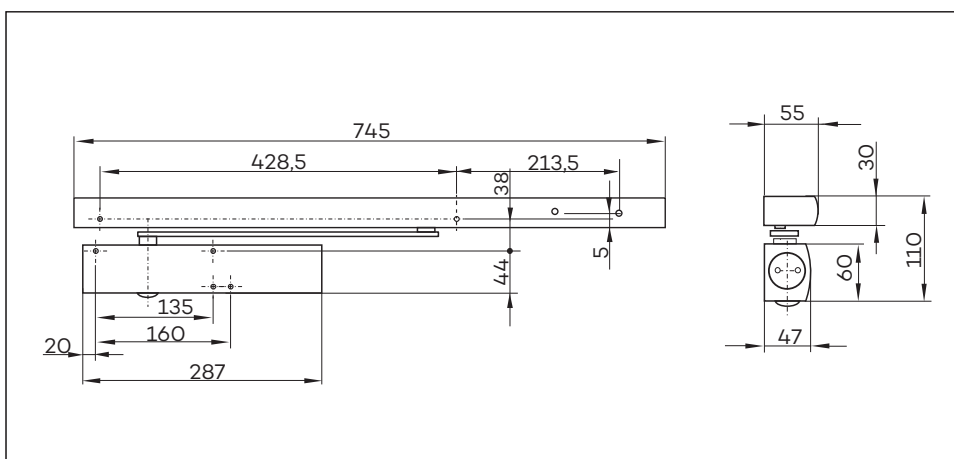


### GEZE 5000 DOOR CLOSERS

#### GEZE TS 5000 R

#### **Guide rail door closer for single-leaf doors up to 1400 mm with electrical hold-open and smoke switch control unit**

The TS 5000 R overhead door closer with electromechanical hold-open (to EN 1155) and integrated smoke switch control unit in the 30 mm low guide rail is approved for mounting on single-leaf fire and smoke doors. In case of fire, the smoke detector will be activated and the door closes automatically. The closing force to EN 1154 size 2-6, the closing speed and the latching action are adjustable from the front, the door closer has adjustable back check and a visual closing force display. The holding force of the hold-open is adjustable and the hold-open position can be overridden. The hold-open system has a national technical approval.



### GEZE TS 5000R

#### Applications

- For single-action doors, leaf width up to 1400mm.
- Can be used for right and left-hand doors without conversion.
- For fire protection doors (door closer with mounting plate).

#### Technical data

Product features	GEZE TS 5000 closer	GEZE TS 5000 S closer	GEZE TS 5000 L closer
Closing force to EN 1154	2 - 6		
Recommended leaf width, up to	1400 mm		
Same version for left and right-hand doors	●●		●
Product tested to	Door closer tested to EN 1154		
Fire door suitability	●●		●
Mounting plate with hole pattern to EN 1154 supplement	●●		●
Length	287 mm		
Overall depth	47 mm		
Height	60 mm		
Functions			
Adjustable closing force	Yes, stepless		
Adjustable closing speed	●●		●
Adjustable latching action	Yes, via valve		
Integrated back check	Yes, hydraulically adjustable		
Integrated delayed closing		●	
Position of closing force adjustment	Front		
Visual display of the closing force	●●		●
Safety valve against vandalism	●●		●
Thermo-stabilised valves	●●		●

#### Technical data (guide rail)

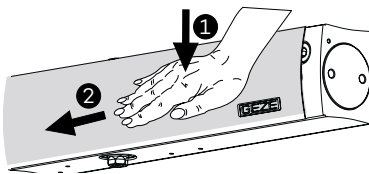
Product features	TS 5000 R-guide rail	BG TS 5000 R-guide rail
Supply voltage	230 V 50 Hz	
Enclosure rating	IP 20	
Product tested to	Hold-open device tested to EN 1154 DIBt national technical approval as hold-open system 745 mm	
Length	55 mm	
Overall depth	30 mm	
Height		
Functions		
Integrated hold-open	Electrical	
Hold-open position can be overridden	•	•
Hold-open angle	80°-130°	from 80°
Integrated smoke switch	•	•
with visual operating state display	•	•
with clogging indicator	•	•
with alarm threshold tracing	•	•
Integrated power pack	•	•
Height correction possible	•	•



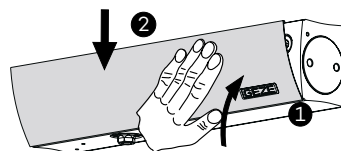
### GEZE TS 5000

#### Recommended settings for GEZE door closers

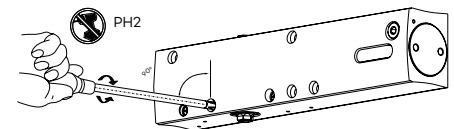
× Remove slide plate



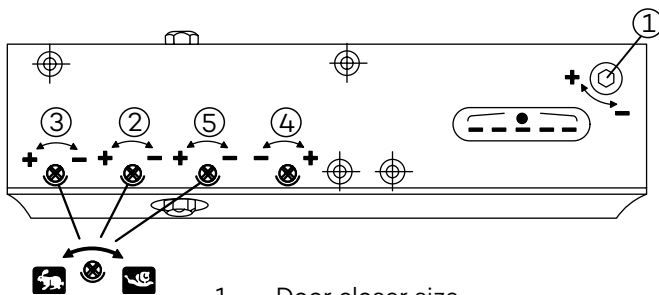
× Clip slide plate open



× Set

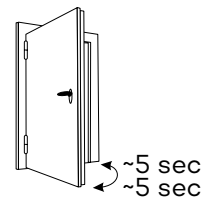


### GEZE TS 5000



- 1 Door closer size
- 2 Closing speed
- 3 Latching action
- 4 Back check
- 5 Delayed closing action (only S with T 5000 S)

Display Door closer size	Leaf width [mm]
2	up to 850
3	850-950
4	950-1100
5	1100-1250
6	1250 - 1400



Light-running door must be closed completely by the closer!

#### GEZE door closer with mechanical hold-open:

By installing the hold-open unit in the relevant guide rail, a stepless adjustable door hold-open function is enabled between 800 and 1300 . The holding force of the hold-open is adjustable. The hold-open can also be switched off.

#### 1) Backcheck

Reduces the speed of forcefully thrown open door at approx. 90° door opening. However, e.g. in the case of outward-opening doors exposed to the wind, it cannot replace separate restriction of the opening angle – installation of a door stop or other structural measures.

#### 2) Closing speed

The closing speed of a door can be set individually.

#### 3) Latching action

The door movement is accelerated in the last degrees of closing in order to overcome closing resistance, e.g. air resistance

#### 4) Delayed closing

Reduces the closing speed of a door or stops the door, so that passing people have sufficient time to get through the door.

### NOVAS DOOR CONTROLS

GEZE Hydraulic door closers are designed to suit various residential and commercial applications. By definition, door closers are used to close hinged leaf doors after they have been manually opened. The smooth closing operation is controlled by the adjustable hydraulic rack and pinion mechanism.

In choosing a closer style for a particular application consideration should be given to the type of door being controlled, frame condition, aesthetic and the control features required by the end user.

The size and weight of the door is the main consideration in selecting a closer of the correct strength. Recommended door widths for each closer assume normal operating conditions. If a door is of exceptional height, weight, special construction, or if air pressure differentials exist, a more powerful closer should be considered.

A door closer effectively increases the loading on door hinges and their rate of wear. It is recommended that any door fitted with a door closer should use three or more Novas Ball Bearing/Sintered Bearing Hinges.

It is essential that the door be clear in the door frame and when fitted with a lock the latch bolt must engage freely with the strike.

Floor or wall mounted doorstops should be fitted to prevent possible damage to the door frame and fitted hardware.

#### **Services**

Novas offers a fully comprehensive (free of charge) specification/door scheduling service to meet project requirements. Door schedules are prepared by our scheduling team who are all design and/or industry trained professionals. Please contact your local Novas representative for assistance.

#### **Guarantee**

Novas guarantee all their products against defects in workmanship and materials subject to inspection and confirmation of fair wear and tear within the normal working life of the product.

Novas assumes no liability for:

1. Improper installation or failure to follow fitting instructions.
2. Product failure due to improper maintenance or unfair wear and tear.
3. Indirect or consequential loss or damage.
4. Cost of removal and/or replacement.
5. Cost of freight and/or travelling expenses.
6. Some plated finishes are classified as soft finishes. Deterioration is possible under some climatic conditions and cannot be unconditionally guaranteed.

Contact your local Novas representative or agent for advice on all finishes.

