

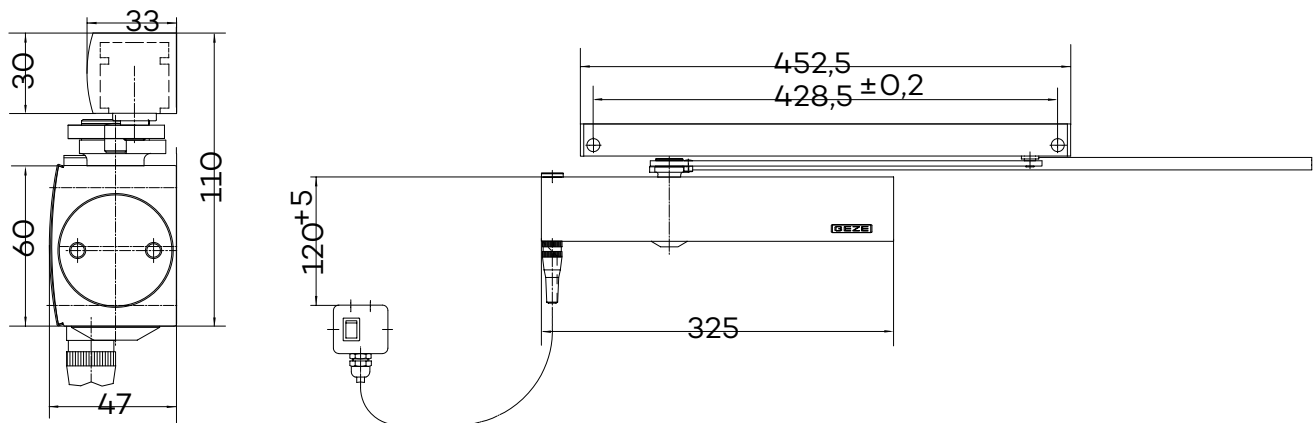
### GEZE 5000E DOOR CLOSERS

#### GEZE TS 5000EFS

**Guide rail door closer for single-leaf doors up to 1250mm leaf width with electrical free swing function.**

The TS 5000EFS overhead door closer for single leaf doors is equipped with the “free swing” function. It is possible to use the door with little effort in the opening or closing direction, e.g. in retirement facilities or hospitals, after the free swing function has been activated by opening the door once to approx. 90°, e.g. in the morning. Safe automatic closing of the door in case of a fire. As a result, it is approved for mounting on single-leaf fire and smoke doors, to EN 1155.

The door closer is approved for mounting on right and left-hand single-action doors with up to 1250mm leaf width. The closing force to EN 1154, size 2-5, the closing speed and the latching action are adjustable from the front. The door closer has a visual closing force display.



### GEZE TS 5000EFS

#### Applications

- For single-action doors, leaf width up to 1250mm
- Can be used for right and left-hand doors without conversion
- For fire doors (door closer with mounting plate)
- Door leaf mounting/hinge side variation or frame mounted/hinge side variation available

#### Technical data

Product features	GEZE TS 5000 EFS complete pack, leaf mounted	GEZE TS 5000 EFS - complete pack, frame mounted
Closing force to EN 1154		2 - 5
Recommended leaf width, up to		1250 mm
Same version for left and right-hand doors	●	●
Supply voltage		24 V DC
Product tested to	Door closer tested to EN 1154 Hold-open device tested to EN 1154	
Fire door suitability	●	●
Mounting plate with hole pattern to EN 1154 supplement	●	●
Length		325 mm
Overall depth		46 mm
Height		60 mm
<b>Functions</b>		
Freeswing function	●	●
Freeswing range		85°-170°
Adjustable closing force		Yes, stepless
Adjustable closing speed	●	●
Adjustable latching action		Yes, via valve
Integrated back check		No
Position of closing force adjustment		Front
Visual display of the closing force	●	●
Safety valve against vandalism	●	●
Thermo-stabilised valves	●	●

○ = optional

● = standard



### NOVAS DOOR CONTROLS

GEZE Hydraulic door closers are designed to suit various residential and commercial applications. By definition, door closers are used to close hinged leaf doors after they have been manually opened. The smooth closing operation is controlled by the adjustable hydraulic rack and pinion mechanism.

In choosing a closer style for a particular application consideration should be given to the type of door being controlled, frame condition, aesthetic and the control features required by the end user.

The size and weight of the door is the main consideration in selecting a closer of the correct strength. Recommended door widths for each closer assume normal operating conditions. If a door is of exceptional height, weight, special construction, or if air pressure differentials exist, a more powerful closer should be considered.

A door closer effectively increases the loading on door hinges and their rate of wear. It is recommended that any door fitted with a door closer should use three or more Novas Ball Bearing/Sintered Bearing Hinges.

It is essential that the door be clear in the door frame and when fitted with a lock the latch bolt must engage freely with the strike.

Floor or wall mounted doorstops should be fitted to prevent possible damage to the door frame and fitted hardware.

#### **Services**

Novas offers a fully comprehensive (free of charge) specification/door scheduling service to meet project requirements. Door schedules are prepared by our scheduling team who are all design and/or industry trained professionals. Please contact your local Novas representative for assistance.

#### **Guarantee**

Novas guarantee all their products against defects in workmanship and materials subject to inspection and confirmation of fair wear and tear within the normal working life of the product.

Novas assumes no liability for:

1. Improper installation or failure to follow fitting instructions.
2. Product failure due to improper maintenance or unfair wear and tear.
3. Indirect or consequential loss or damage.
4. Cost of removal and/or replacement.
5. Cost of freight and/or travelling expenses.
6. Some plated finishes are classified as soft finishes. Deterioration is possible under some climatic conditions and cannot be unconditionally guaranteed.

Contact your local Novas representative or agent for advice on all finishes.

