

GEZE 3000B DOOR CLOSERS

The GEZE 3000 B door closer is a surface mounted boxer and cam action closer.

GEZE TS 3000B

GEZE TS 3000 B surface mounted door closer complete with guide rail, screw pack and installation instructions and cover.

Special versions:

- GEZE TS 3000 B complete with hold-open angle that is infinitely variable from 80° to 130°. This is applicable to electro-mechanical hold-open and manual hold-open devices.
- Manual hold-open is not suitable for fire door applications.
- GEZE TS 3000 B includes electro-mechanical hold-open arm, 24V DC (release devices by others).
- The overall height of the GEZE guide rail with approved magnet hold-open device is only 30mm.



GEZE TS 3000B

Product features

- Closer sizes 2-4 (EN) and EN1154 A.
- Adjustable closing force.
- Adjustable closing speed.
- Adjustable hydraulic latching action.
- Adjustable hydraulic back check.
- Fire tested to EN1634-1 (CERTIFIRE CF 145)

Applications

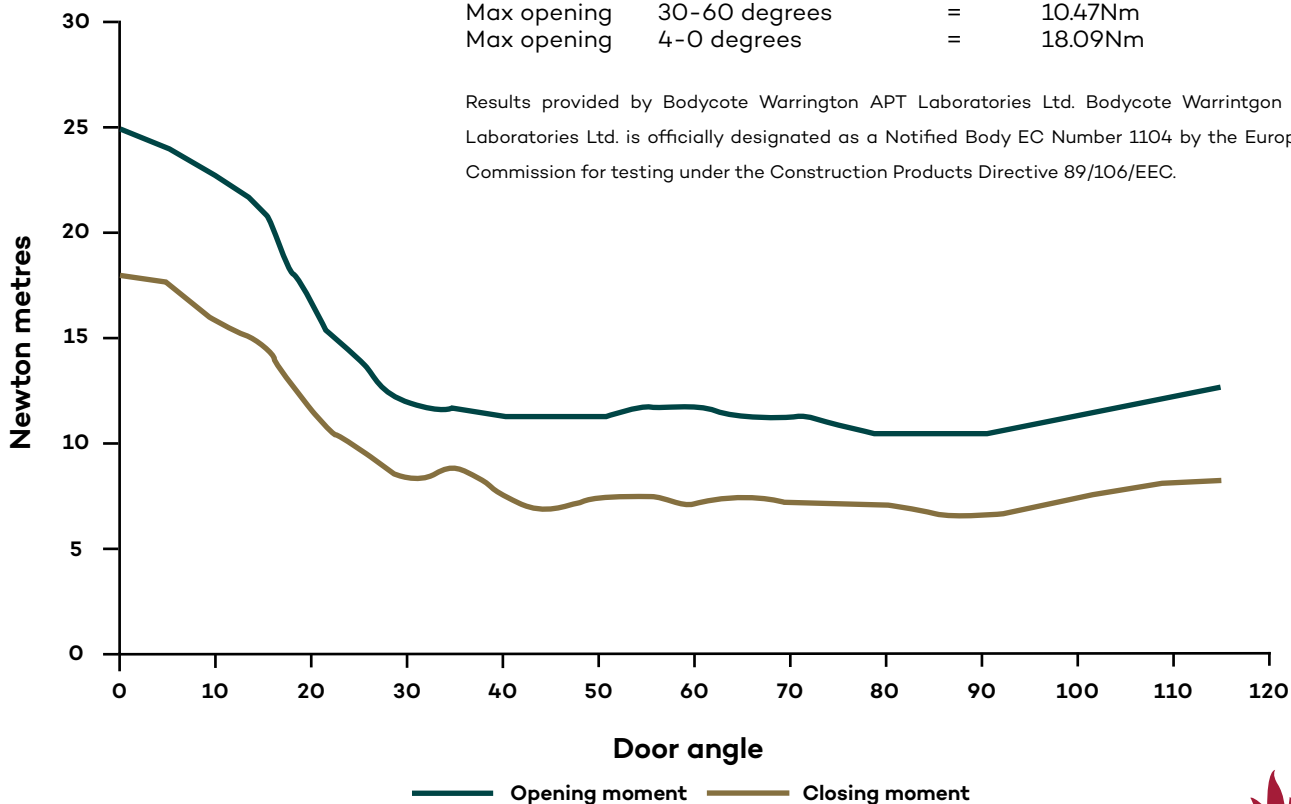
- Suitable for single action right and left closing doors.
- For leaf weight up to 130kg.
- For leaf width up to 1100mm in accordance with EN1154

Closing the opening force debate

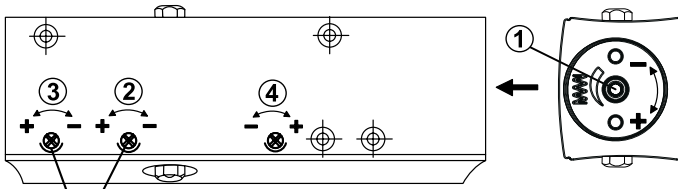
GEZE TS 3000 B SURFACE MOUNTED DOOR CLOSER SET TO SIZE 3 FIXED IN STANDARD POSITION (4 turns from min)

Max opening	0-4 degrees	=	24.87Nm
Max opening	0-30 degrees	=	24.87Nm
Max opening	30-60 degrees	=	10.47Nm
Max opening	4-0 degrees	=	18.09Nm

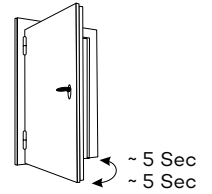
Results provided by Bodycote Warrington APT Laboratories Ltd. Bodycote Warrington APT Laboratories Ltd. is officially designated as a Notified Body EC Number 1104 by the European Commission for testing under the Construction Products Directive 89/106/EEC.



GEZE TS 3000B



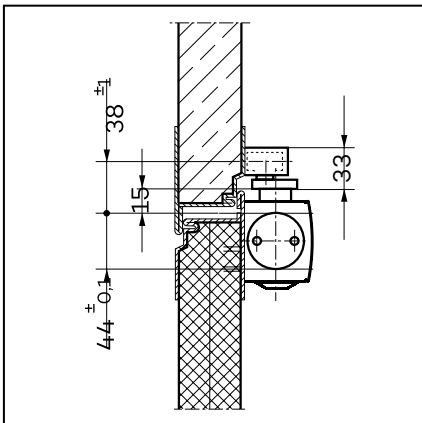
Setting	Leaf width [mm]
Door closer size	
Buffer	up to 750
2.5 revolutions	750 - 850
5 revolutions	850 - 950
Buffer +	950 - 1100



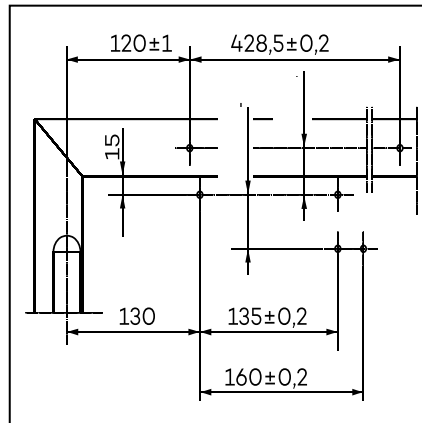
- 1 Door closer size
- 2 Closing speed
- 3 Latching action
- 4 Back check (only with TS 3000 VBC)

Light-running door must be closed completely by the closer!

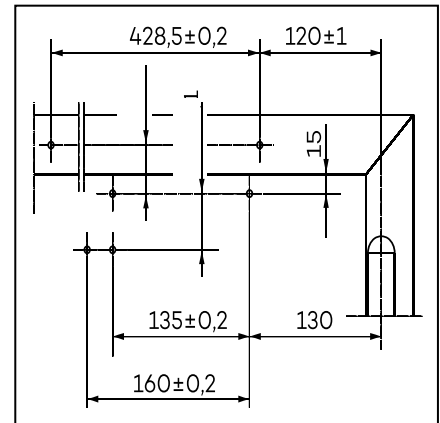
Mounting example for GEZE TS 3000 V direct mounting



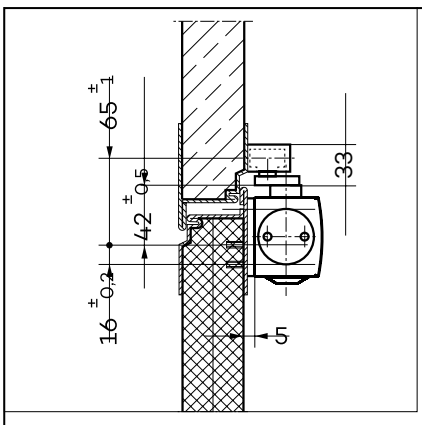
Section = direct mounting. Mounting with mounting plate



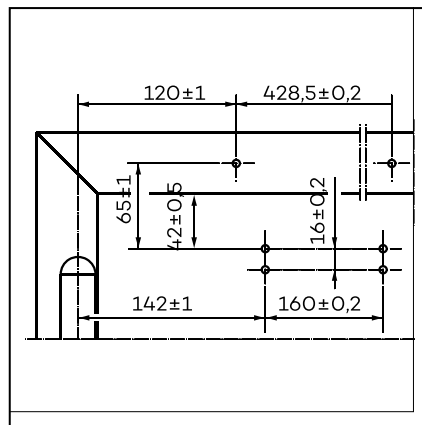
Fitting dimensions: left-hand door



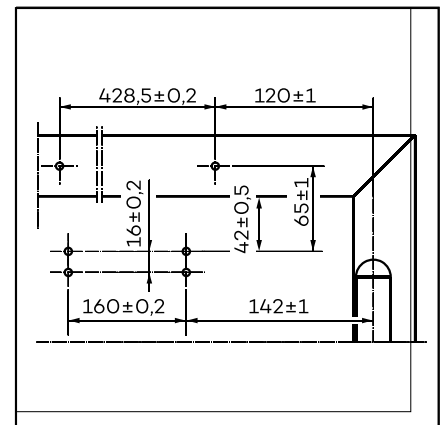
Fitting dimensions: right-hand door



Section = mounting with mounting plate



Fitting dimensions: left-hand door



Fitting dimensions: right-hand door



NOVAS DOOR CONTROLS

GEZE Hydraulic door closers are designed to suit various residential and commercial applications. By definition, door closers are used to close hinged leaf doors after they have been manually opened. The smooth closing operation is controlled by the adjustable hydraulic rack and pinion mechanism.

In choosing a closer style for a particular application consideration should be given to the type of door being controlled, frame condition, aesthetic and the control features required by the end user.

The size and weight of the door is the main consideration in selecting a closer of the correct strength. Recommended door widths for each closer assume normal operating conditions. If a door is of exceptional height, weight, special construction, or if air pressure differentials exist, a more powerful closer should be considered.

A door closer effectively increases the loading on door hinges and their rate of wear. It is recommended that any door fitted with a door closer should use three or more Novas Ball Bearing/Sintered Bearing Hinges.

It is essential that the door be clear in the door frame and when fitted with a lock the latch bolt must engage freely with the strike.

Floor or wall mounted doorstops should be fitted to prevent possible damage to the door frame and fitted hardware.

Services

Novas offers a fully comprehensive (free of charge) specification/door scheduling service to meet project requirements. Door schedules are prepared by our scheduling team who are all design and/or industry trained professionals. Please contact your local Novas representative for assistance.

Guarantee

Novas guarantee all their products against defects in workmanship and materials subject to inspection and confirmation of fair wear and tear within the normal working life of the product.

Novas assumes no liability for:

1. Improper installation or failure to follow fitting instructions.
2. Product failure due to improper maintenance or unfair wear and tear.
3. Indirect or consequential loss or damage.
4. Cost of removal and/or replacement.
5. Cost of freight and/or travelling expenses.
6. Some plated finishes are classified as soft finishes. Deterioration is possible under some climatic conditions and cannot be unconditionally guaranteed.

Contact your local Novas representative or agent for advice on all finishes.

