

### GEZE 1500 DOOR CLOSERS

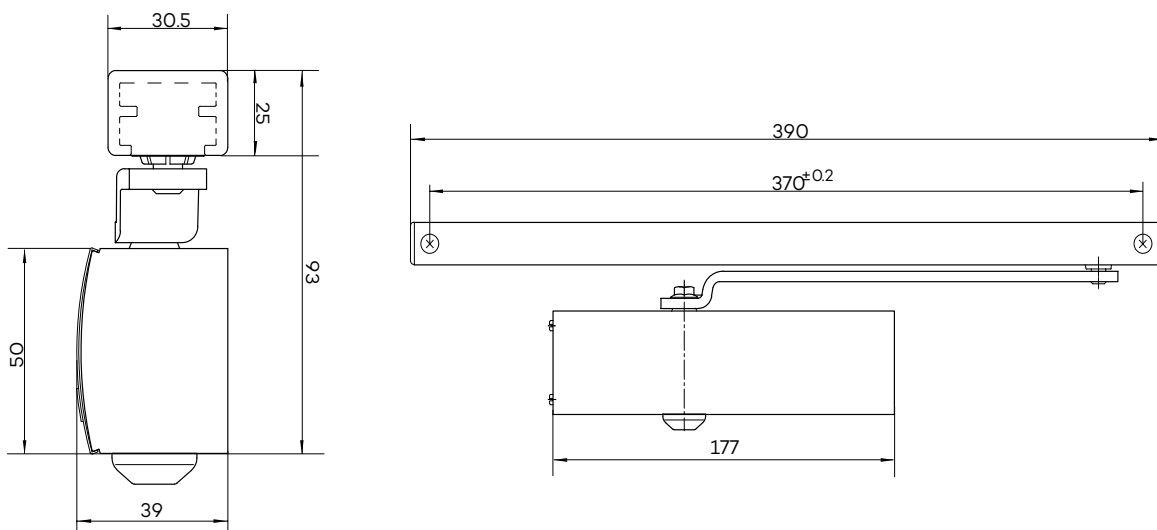
The GEZE 1500 door closer is an adjustable strength hydraulic door closer. Applications include regular arm, parallel arm, top jamb, and adjustable back check function.

#### GEZE TS 1500G

**Guide rail door closer for single-leaf doors with up to 750mm leaf width.**

The overhead door closer TS 1500 G with guide rail is suitable for single leaf interior doors up to 750 mm leaf width (fixed closing force EN size 1). The closing speed and hydraulic latching action are adjustable.

The door closer is optionally available with a mounting plate and is suitable for right and left-hand single-action doors without conversion.



### GEZE TS 1500G

#### Applications

- For interior doors
- For single-action doors, leaf width up to 750 mm
- Can be used for right and left-hand doors without conversion

#### Technical data

| Product features                           | GEZE TS 1500 G closer         |
|--|-------------------------------|
| Closing force to EN 1154                   | 1                             |
| Recommended leaf width, up to              | 750 mm                        |
| Same version for left and right-hand doors | ●                             |
| Product tested to                          | Door closer tested to EN 1154 |
| Length                                     | 177 mm                        |
| Overall depth                              | 39 mm                         |
| Height                                     | 50 mm                         |

#### Functions

|                            |                |
|----------------------------|----------------|
| Adjustable closing force   | No             |
| Adjustable closing speed   | ●              |
| Adjustable latching action | Yes, via valve |
| Integrated back check      | No             |

#### Guide rail technical data:

| Product features           | TS 1500 G guide rail | TS 1500 G/F guide rail |
|----------------------------|----------------------|------------------------|
| Length                     |                      | 390 mm                 |
| Overall depth <sup>3</sup> |                      | 0.5 mm                 |
| Height                     |                      | 20.5 mm                |

#### Functions

|                                      |    |            |
|--------------------------------------|----|------------|
| Integrated opening restrictor        | mm |            |
| Integrated hold-open                 | ●  | Mechanical |
| Hold-open can be switched on and off |    | ●          |
| Hold-open position can be overridden |    | ●          |
| Hold-open angle <sup>8</sup>         |    | 0°-130°    |

○ = optional

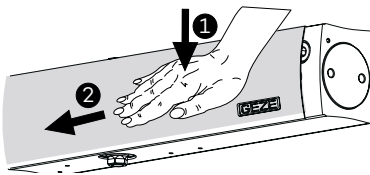
● = standard



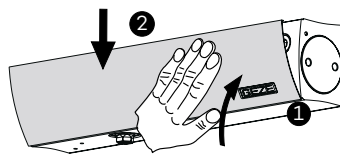
### GEZE TS 1500G

#### Recommended settings for GEZE door closers

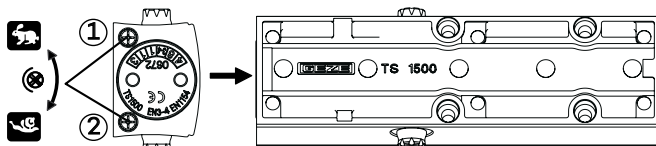
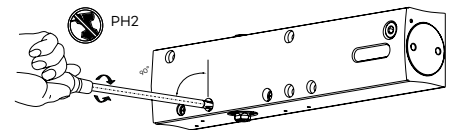
× Remove slide plate



× Clip slide plate open



× Set



! Setting of door closer size by turning the top of the link arm

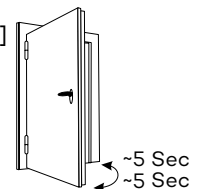
- 1 Closing speed
- 2 Latching action

Setting Door closer size Leaf width [mm]

A 850 - 950



B 950 - 1100



Light-running door must be closed completely by the closer!

### NOVAS DOOR CONTROLS

GEZE Hydraulic door closers are designed to suit various residential and commercial applications. By definition, door closers are used to close hinged leaf doors after they have been manually opened. The smooth closing operation is controlled by the adjustable hydraulic rack and pinion mechanism.

In choosing a closer style for a particular application consideration should be given to the type of door being controlled, frame condition, aesthetic and the control features required by the end user.

The size and weight of the door is the main consideration in selecting a closer of the correct strength. Recommended door widths for each closer assume normal operating conditions. If a door is of exceptional height, weight, special construction, or if air pressure differentials exist, a more powerful closer should be considered.

A door closer effectively increases the loading on door hinges and their rate of wear. It is recommended that any door fitted with a door closer should use three or more Novas Ball Bearing/Sintered Bearing Hinges.

It is essential that the door be clear in the door frame and when fitted with a lock the latch bolt must engage freely with the strike.

Floor or wall mounted doorstops should be fitted to prevent possible damage to the door frame and fitted hardware.

### Services

Novas offers a fully comprehensive (free of charge) specification/door scheduling service to meet project requirements. Door schedules are prepared by our scheduling team who are all design and/or industry trained professionals. Please contact your local Novas representative for assistance.

### Guarantee

Novas guarantee all their products against defects in workmanship and materials subject to inspection and confirmation of fair wear and tear within the normal working life of the product.

Novas assumes no liability for:

1. Improper installation or failure to follow fitting instructions.
2. Product failure due to improper maintenance or unfair wear and tear.
3. Indirect or consequential loss or damage.
4. Cost of removal and/or replacement.
5. Cost of freight and/or travelling expenses.
6. Some plated finishes are classified as soft finishes. Deterioration is possible under some climatic conditions and cannot be unconditionally guaranteed.

Contact your local Novas representative or agent for advice on all finishes.

