

NOVAS

BOTTOM DOOR SEALS

NHMDBS — MORTICED BOTTOM DOOR SEAL

A medium duty fully automatic door seal that is morticed into the bottom of the door. It is operated by pressure on an actuator that operates the internal mechanism. Silicon rubber gasket allows this seal to be used in fire door applications.

This seal can also be fitted into a hollow bottom section of an aluminium door.

Min / Max Gap: 3mm / 15mm

Location: Single and double door, butt hinged.

Stocked Seal Sizes: 600mm, 820mm, 920mm, 1070mm, 1220mm. Other sizes may be available upon request. Maximum cutback on each seal 100mm.

Standard Finish: Clear Anodised Aluminium.

Seal Material: Grey Silicon Rubber

Adjustment: Adjustable strike block screw.

Fixing Method: Concealed in Mortice pocket, stainless steel fixing plates. Screws supplied.

Fixing Plate Dimensions: 23mm wide, 60mm high, 1.2mm thick.

Durability: Tested to over 1,000,000 operating cycles without failure.

Applications:

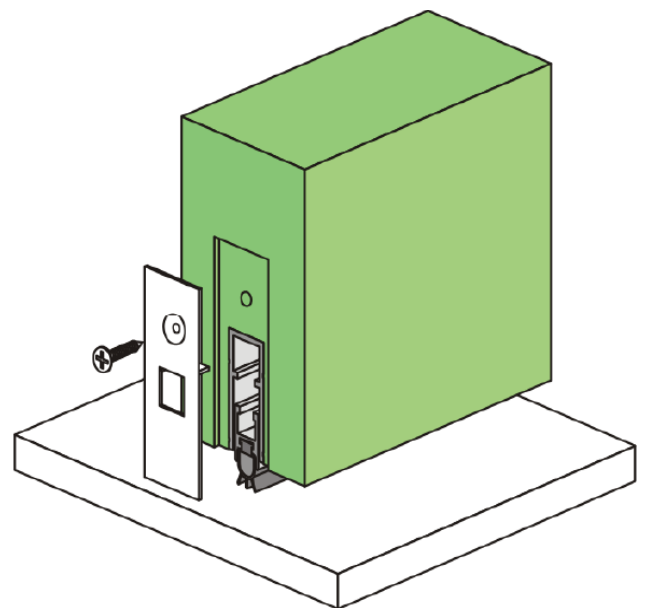
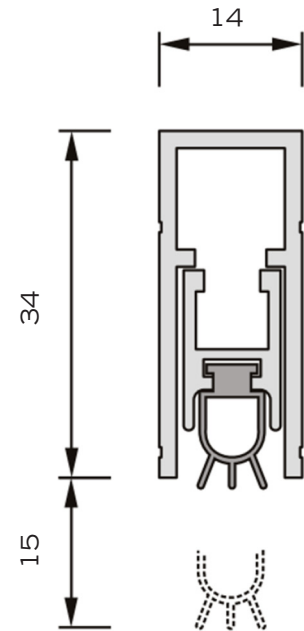
Medium temperature smoke
Draughts and air flow noise
Fire

Approvals:

Fire and Smoke: Conforms to BCA 2012
Spec. C3.4. Sec 3.2 (c)
Deemed to Satisfy Provisions

Tested to AS1530.4—2005.

Acoustics: Conforms to Class 2-9 Buildings
BCA 2012 Sec.F5.5 (b)
Deemed to Satisfy Provisions



Fire Rated

NOVAS

What is Door Sealing

Nature of Problem

For doors to open and close easily, they must have gaps between the edges of the door frame and floor. However, these necessary gaps also allow the intrusion of undesirable objects such as:

- Air Flow Noise, Traffic Noise
- Smoke and Fire
- Rain water
- Hot air
- Cold wind
- Light
- Odour
- Insects and vermin
- Dust

At the same time, they allow the leakage of:

- Air conditioning's cool or hot air
- Light

Solution

The solution is to select appropriate door seal product to seal the gaps around door without impeding its normal use. NOVAS door seal products is an effective sealing product. NOVAS seals are frequently multi-purpose, effectively sealing gaps to prevent many of the above intrusions and leakages. Properly selected and fitted, they can provide a complete and continuous seal for doors without impeding the doors normal function.

Major Materials

NOVAS seals use standard materials:

Aluminium

Aluminium surface are anodised in a clear coat (15 microns).

PVC

Virgin PVC is used. When PVC is exposed to sunlight, a UV inhibitor is added. Service temperature ranges from -5°C to 70°C.

Silicon

Comparing to other soft material, silicon can withstand extreme heat and cold. Service temperature ranges from -60°C to 230°C.

Installation

Screwed

When NOVAS seals are fixed with screws, colour matched self-tapping screws and accessories are included.

Adhesion

When NOVAS seals are fixed by adhesion, adhesive tape is provided in the appropriate locations.

Standards and approvals

NOVAS Door Seals are designed and manufactured to meet a number of International Standards and Building Codes. The majority of the seals contained herein meet ISO, Australian and New Zealand Standards and Building Codes. These have in some cases been tested in house and independently to meet these relevant standards. All Seals in this catalogue are 'Deemed to Satisfy' the relevant sections of the Building Code of Australia.

Adjustability

Many of the NOVAS seals have some adjustability and they can be adjusted without removal of the door.

Door Seal Sizes

NOVAS seals are available in a range of sizes. Please refer to price list.

Door Seal Sets

Perimeter seals are available in standard pre cut lengths for single and double doors:

Single Door Set:	1 x 1000mm, 2 x 2100mm
Double Door Set:	3 x 2100mm
Long Single Door Set:	1 x 1000mm, 2 x 2750mm
Long Double Door Set:	1 x 2000mm, 2 x 2750mm

Guarantee

NOVAS door seals are guaranteed for 2 years from the date of purchase against faulty workmanship and materials, provided seals are installed as per the manufacturer's installation instructions. Faulty goods will be replaced.

All technical data and recommendations are provided in good faith but without warranty. Users need to independently determine the suitability of the various seals for their purposes. NOVAS will not be held liable for a fault with a product that has been used in an application that it is not designed for.

Product Series

The products in this catalogue are subject to change, substitution or deletion without prior notice. We are not responsible for any error or omission.

Copyright

The Trade name "NOVAS Architectural" and its registered trademark remain the property of Nova Hardware Pty Ltd.

Product numbers, drawings and technical details are copyright and cannot be reproduced without written consent.