

# NOVAS

## PERIMETER DOOR SEALS

### NHBWS — SELF ADHESIVE PERIMETER DOOR SEAL

NHBWS is a PVC extruded acoustic and smoke seal. It is self adhesive and installed in the corner of the door frames, either timber and steel. It is able to be used on new and retrofit applications.

**Gap Size:** Minimum door clearance required 2mm-3mm.

**Location:** Fixed around rebated frames of both single and double broad butt hinged doors and windows.

**Stocked Seal Sizes:** 1000mm, 2750mm and standard door sets.

**Standard Finish:** Black ( PVC )

**Seal Material:** Flexible and Rigid flame retardant PVC, Self adhesive backing tape to both sides of the rigid PVC.

**Fixing Method:** Self Adhesive.

**WARNING:** Surface of frames must be cleaned thoroughly and if painted well cured prior to fixing.

#### Applications:

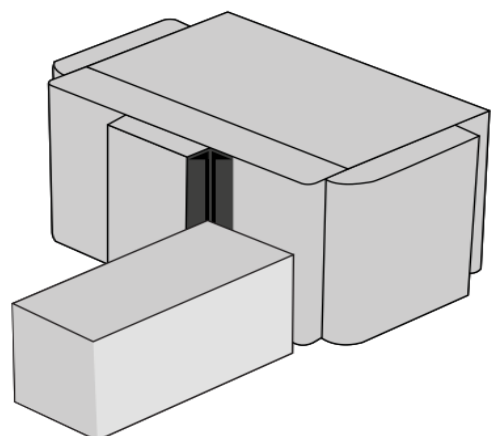
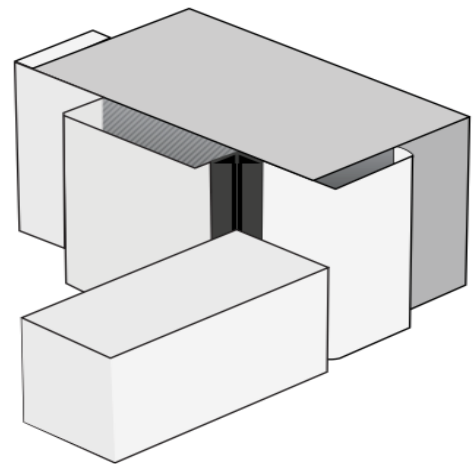
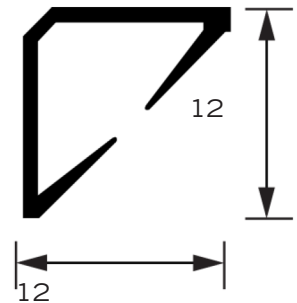
Medium temperature smoke  
Draughts and air flow noise  
Fire

#### Approvals:

**Fire and Smoke:** Conforms to BCA 2012  
Spec. C3.4. Sec 3.2 ( c )  
**Deemed to Satisfy Provisions**

**Tested to AS1530.4—2005.**

**Acoustics:** Conforms to Class 2-9  
Buildings BCA 2012 Sec.F5.5 ( b )  
**Deemed to Satisfy Provisions**



Fire Rated

# NOVAS

## What is Door Sealing

### Nature of Problem

For doors to open and close easily, they must have gaps between the edges of the door frame and floor. However, these necessary gaps also allow the intrusion of undesirable objects such as:

- Air Flow Noise, Traffic Noise
- Smoke and Fire
- Rain water
- Hot air
- Cold wind
- Light
- Odour
- Insects and vermin
- Dust

At the same time, they allow the leakage of:

- Air conditioning's cool or hot air
- Light

### Solution

The solution is to select appropriate door seal product to seal the gaps around door without impeding its normal use. NOVAS door seal products is an effective sealing product. NOVAS seals are frequently multi-purpose, effectively sealing gaps to prevent many of the above intrusions and leakages. Properly selected and fitted, they can provide a complete and continuous seal for doors without impeding the doors normal function.

### Major Materials

NOVAS seals use standard materials:

#### Aluminium

Aluminium surface are anodised in a clear coat (15 microns).

#### PVC

Virgin PVC is used. When PVC is exposed to sunlight, a UV inhibitor is added. Service temperature ranges from -5°C to 70°C.

#### Silicon

Comparing to other soft material, silicon can withstand extreme heat and cold. Service temperature ranges from -60°C to 230°C.

### Installation

#### Screwed

When NOVAS seals are fixed with screws, colour matched self-tapping screws and accessories are included.

#### Adhesion

When NOVAS seals are fixed by adhesion, adhesive tape is provided in the appropriate locations.

## Standards and approvals

NOVAS Door Seals are designed and manufactured to meet a number of International Standards and Building Codes. The majority of the seals contained herein meet ISO, Australian and New Zealand Standards and Building Codes. These have in some cases been tested in house and independently to meet these relevant standards. All Seals in this catalogue are 'Deemed to Satisfy' the relevant sections of the Building Code of Australia.

### Adjustability

Many of the NOVAS seals have some adjustability and they can be adjusted without removal of the door.

### Door Seal Sizes

NOVAS seals are available in a range of sizes. Please refer to price list.

### Door Seal Sets

Perimeter seals are available in standard pre cut lengths for single and double doors:

Single Door Set:	1 x 1000mm, 2 x 2100mm
Double Door Set:	3 x 2100mm
Long Single Door Set:	1 x 1000mm, 2 x 2750mm
Long Double Door Set:	1 x 2000mm, 2 x 2750mm

### Guarantee

NOVAS door seals are guaranteed for 2 years from the date of purchase against faulty workmanship and materials, provided seals are installed as per the manufacturer's installation instructions. Faulty goods will be replaced.

All technical data and recommendations are provided in good faith but without warranty. Users need to independently determine the suitability of the various seals for their purposes. NOVAS will not be held liable for a fault with a product that has been used in an application that it is not designed for.

### Product Series

The products in this catalogue are subject to change, substitution or deletion without prior notice. We are not responsible for any error or omission.

### Copyright

The Trade name "NOVAS Architectural" and its registered trademark remain the property of Nova Hardware Pty Ltd.

Product numbers, drawings and technical details are copyright and cannot be reproduced without written consent.