

NOVAS

GEZE 3000 DOOR CLOSERS

The GEZE 3000 door closer is an adjustable strength hydraulic door closer. Applications include regular arm, parallel arm, top jamb, track arm and adjustable back check function.

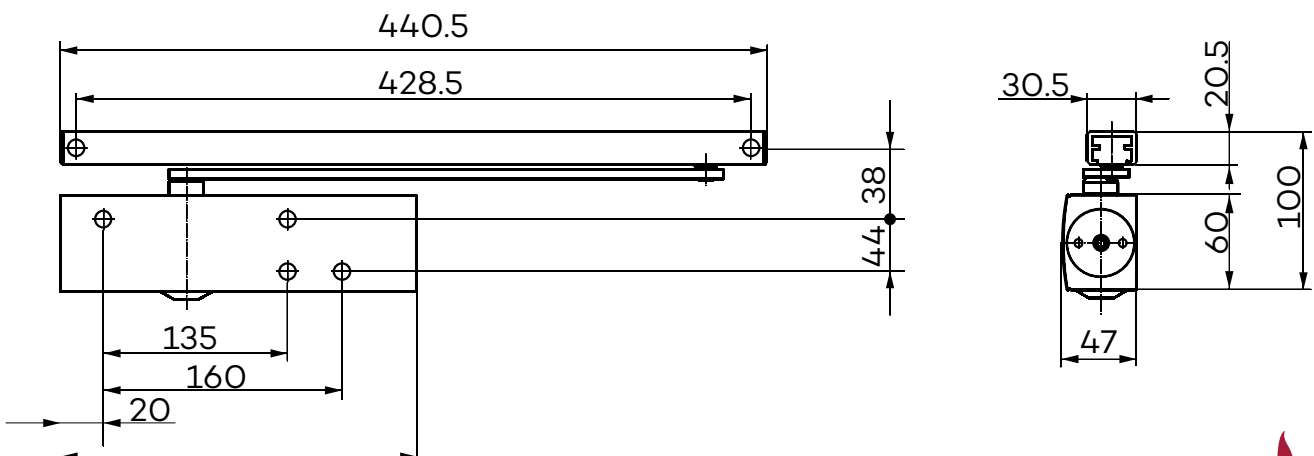
GEZE TS 3000V

Guide rail door closer for single-leaf doors with up to 1100 mm leaf width.

The TS 3000 V overhead door closer is for right and left-hand single-action doors up to 1100 mm wide and is approved for mounting on fire and smoke doors. The closing force, size 1-4 to EN 1154, can be adjusted at the side, the hydraulic latching action and the thermo-stabilised closing speed can be adjusted from the front.

Special versions:

- TS 3000 V with mechanical hold-open, stepless adjustable between 80° and 130° (not approved for mounting on fire and smoke doors)
- TS 3000 VBC with back check, adjustable from the front



NOVAS

GEZE TS 3000V

Applications

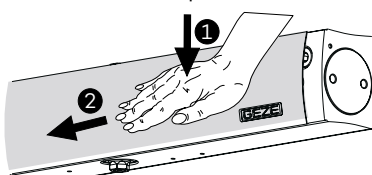
- For single-action doors, leaf width up to 1100 mm
- Can be used for right and left-hand doors without conversion
- For fire doors (door closer with mounting plate)

Technical data

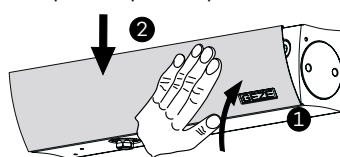
| Product features | GEZE TS 3000 V closer | GEZE TS 3000 VBC closer | GEZE TS 3000 EN3 closer |
|--|-------------------------------|-------------------------------|-------------------------|
| Closing force to EN 1154 | 1 - 4 | 1 - 4 | 3 |
| Recommended leaf width, up to | 1100 mm | 1100 mm | 950 mm |
| Same version for left and right-hand doors | ●● | | ● |
| Product tested to | Door closer tested to EN 1154 | | |
| Fire door suitability | ●● | | ● |
| Mounting plate with hole pattern to EN 1154 supplement | ●● | | ● |
| Length | 226 mm | | |
| Overall depth | 46 mm | | |
| Height | 60 mm | | |
| Functions | | | |
| Adjustable closing force | Yes, stepless | Yes, stepless | No |
| Adjustable closing speed | ●● | | ● |
| Adjustable latching action | Yes, via valve | | |
| Integrated back check | No | Yes, hydraulically adjustable | No |
| Position of closing force adjustment | At the side | At the side | |
| Safety valve against vandalism | ●● | | ● |
| Thermo-stabilised valves | ●● | | ● |

Recommended settings for GEZE door closers

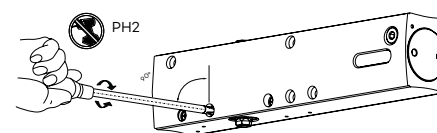
× Remove slide plate



× Clip slide plate open

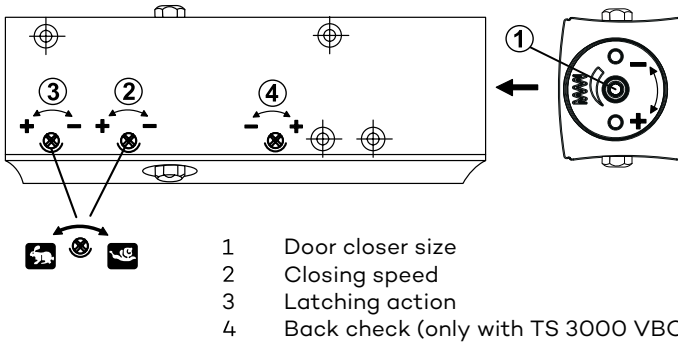


× Set

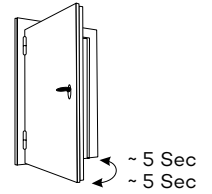


NOVAS

GEZE TS 3000V

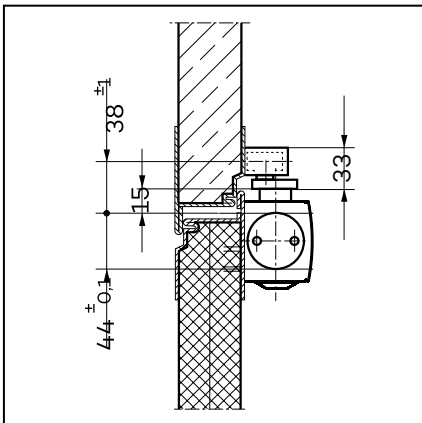


| Setting | Leaf width [mm] |
|------------------|-----------------|
| Door closer size | |
| Buffer | up to 750 |
| 2.5 revolutions | 750 - 850 |
| 5 revolutions | 850 - 950 |
| Buffer + | 950 - 1100 |

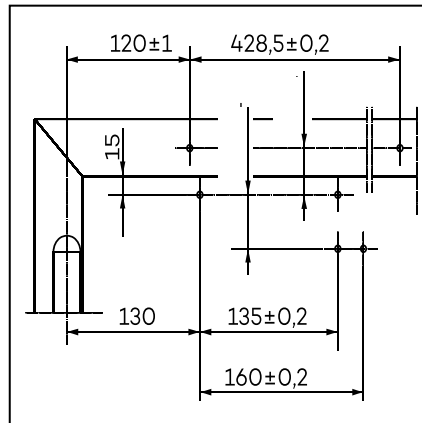


Light-running door must be closed completely by the closer!

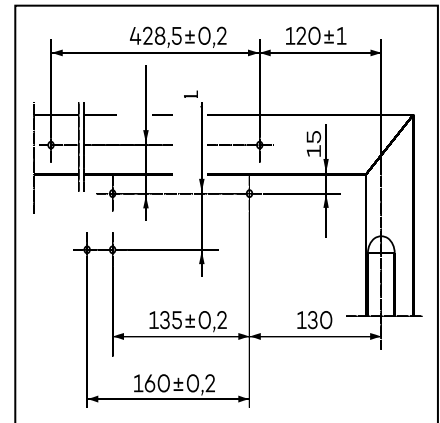
Mounting example for GEZE TS 3000 V direct mounting



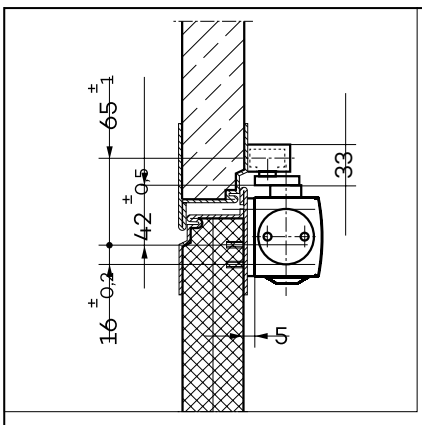
Section = direct mounting. Mounting with mounting plate



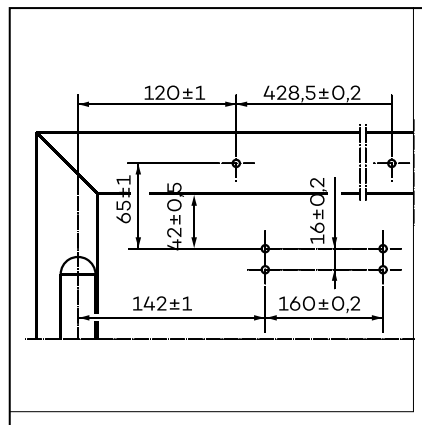
Fitting dimensions: left-hand door



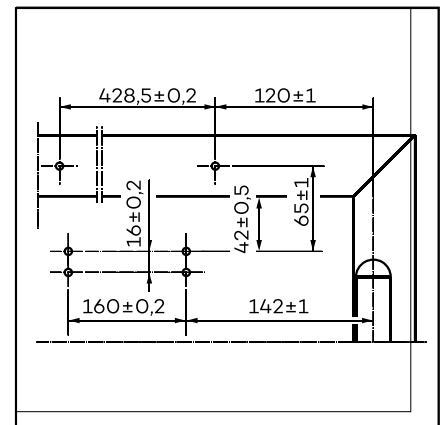
Fitting dimensions: right-hand door



Section = mounting with mounting plate



Fitting dimensions: left-hand door



Fitting dimensions: right-hand door

NOVAS

NOVAS DOOR CONTROLS

GEZE Hydraulic door closers are designed to suit various residential and commercial applications. By definition, door closers are used to close hinged leaf doors after they have been manually opened. The smooth closing operation is controlled by the adjustable hydraulic rack and pinion mechanism.

In choosing a closer style for a particular application consideration should be given to the type of door being controlled, frame condition, aesthetic and the control features required by the end user.

The size and weight of the door is the main consideration in selecting a closer of the correct strength. Recommended door widths for each closer assume normal operating conditions. If a door is of exceptional height, weight, special construction, or if air pressure differentials exist, a more powerful closer should be considered.

A door closer effectively increases the loading on door hinges and their rate of wear. It is recommended that any door fitted with a door closer should use three or more Novas Ball Bearing/Sintered Bearing Hinges.

It is essential that the door be clear in the door frame and when fitted with a lock the latch bolt must engage freely with the strike.

Floor or wall mounted doorstops should be fitted to prevent possible damage to the door frame and fitted hardware.

Services

Novas offers a fully comprehensive (free of charge) specification/door scheduling service to meet project requirements. Door schedules are prepared by our scheduling team who are all design and/or industry trained professionals. Please contact your local Novas representative for assistance.

Guarantee

Novas guarantee all their products against defects in workmanship and materials subject to inspection and confirmation of fair wear and tear within the normal working life of the product.

Novas assumes no liability for:

1. Improper installation or failure to follow fitting instructions.
2. Product failure due to improper maintenance or unfair wear and tear.
3. Indirect or consequential loss or damage.
4. Cost of removal and/or replacement.
5. Cost of freight and/or travelling expenses.
6. Some plated finishes are classified as soft finishes. Deterioration is possible under some climatic conditions and cannot be unconditionally guaranteed.

Contact your local Novas representative or agent for advice on all finishes.

