

### GEZE BOXER - INTEGRATED DOOR CLOSER

Closing force 2-4 and 3-6 according to EN 1154 A

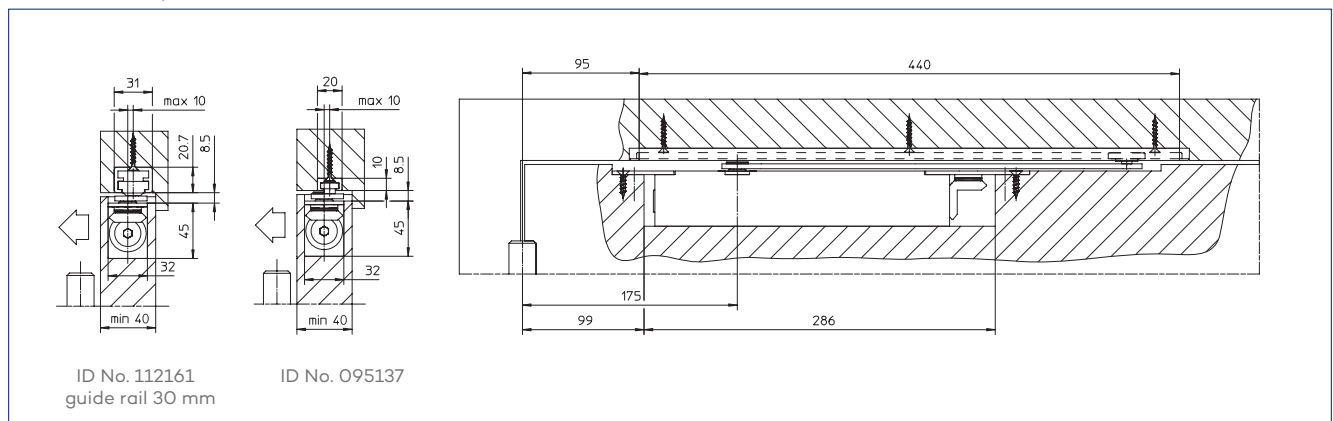
#### GEZE BOXER

##### Product features:

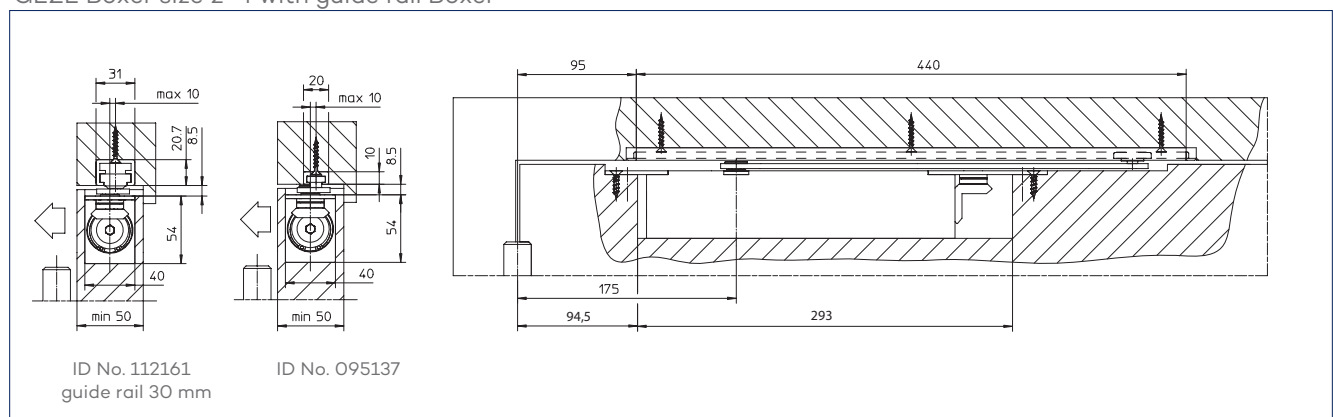
- ▶ Closer sizes 2-4 and 3-6 EN 1154 A <sup>1)</sup>
- ▶ Closer fully integrated into door leaf
- ▶ Guide rail only visible during opening moment
- ▶ Closing force, closing speed, hydraulic latching action and hydraulic back check adjustable when installed
- ▶ Finish: silver

##### Applications

- ▶ For right and left hand closing doors
- ▶ Closer size 2-4  
max. leaf weight approx. 130 kg for leaf width up to 1100 mm  
for leaf depth from 40 mm
- ▶ Closer size 3-6  
max. leaf weight approx. 180 kg for leaf width up to 1400 mm  
for leaf depth from 50 mm



##### GEZE Boxer size 2-4 with guide rail Boxer



##### GEZE Boxer size 3-6 with guide rail Boxer

### GEZE BOXER - INTEGRATED DOOR CLOSER

Closing force 2-4 and 3-6 according to EN 1154 A

#### Specification size 2-4

Integrated door closer GEZE Boxer with mechanical hold-open device<sup>1)</sup> for single-action doors, leaf depth from 40 mm, size 2-4 according to EN 1154 A guide rail with mechanical hold-open device, hold-open angle infinitely variable between 80° and approx. 120°, retaining force of hold-open device can be adjusted, adjustable (when installed) closing force, closing speed, latching action and back check.

The closer is completely installed into the door leaf, the guide rail is only visible when the door is open.

For right and left closing doors, up to 130 kg leaf weight and up to 1100 mm leaf width.

Finish: silver

#### Specification size 3-6

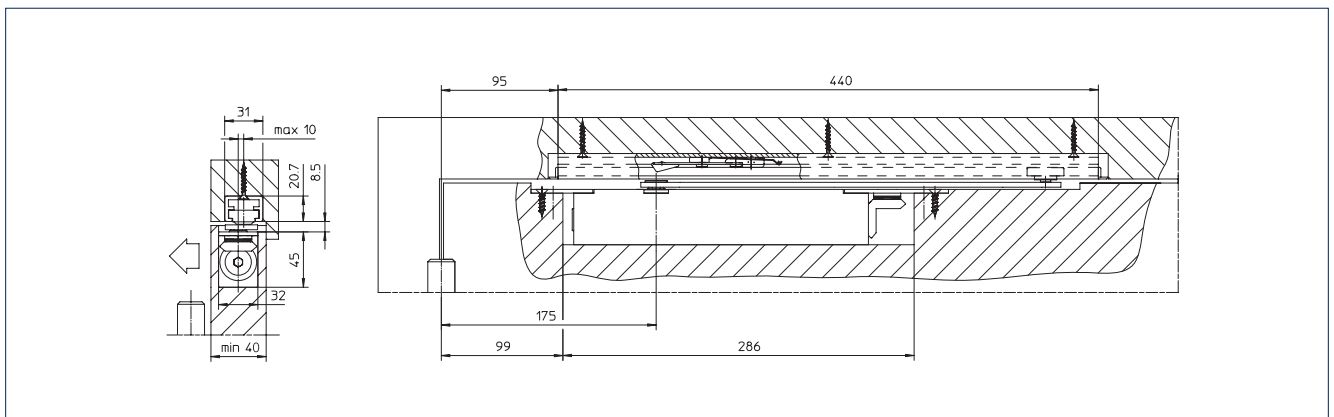
Integrated door closer GEZE Boxer with mechanical hold-open device<sup>1)</sup> for single-action doors, leaf depth from 50 mm, size 3-6 according to EN 1154 A guide rail with mechanical hold-open device, hold-open angle infinitely variable between 80° and approx. 120°, retaining force of hold-open device can be adjusted, adjustable (when installed) closing force, closing speed, latching action and back check.

The closer is completely installed into the door leaf, the guide rail is only visible when the door is open.

For right and left closing doors, up to 180 kg leaf weight and up to 1400 mm leaf width.

Finish: silver

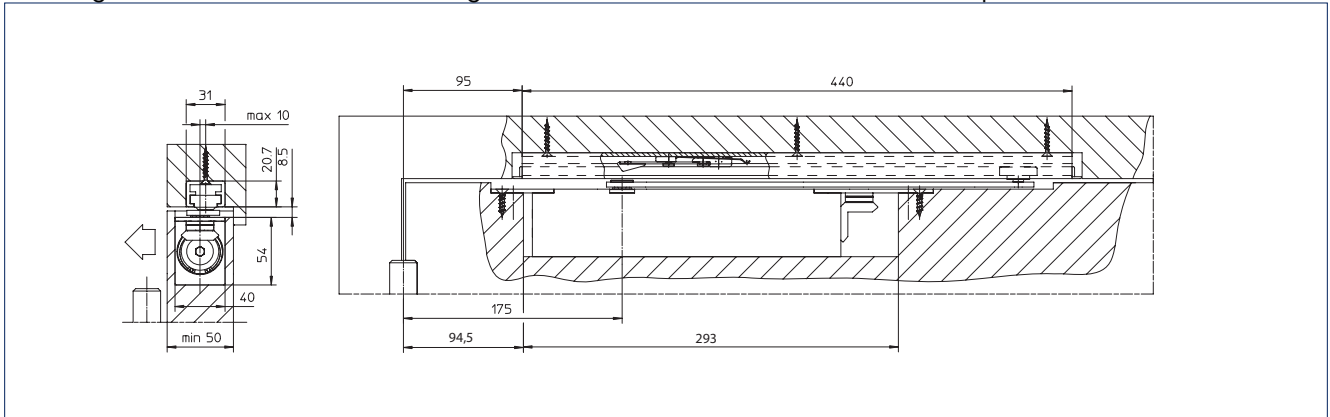
### GEZE BOXER - INTEGRATED DOOR CLOSER WITH MECHANICAL HOLD - OPEN DEVICE



GEZE Boxer size 2-4 with guide rail Boxer, with mechanical hold-open device

### GEZE BOXER - INTEGRATED DOOR CLOSER

Closing force 2-4 and 3-6 according to EN 1154 A with mechanical - hold open device



GEZE Boxer size 3-6 with guide rail Boxer, with mechanical hold-open device

#### Specification size 2-4

Integrated door closer GEZE Boxer with mechanical hold-open device<sup>1)</sup> for single-action doors, leaf depth from 40 mm, size 2-4 according to EN 1154 A guide rail with mechanical hold-open device, hold-open angle infinitely variable between 80° and approx. 120°, retaining force of hold-open device can be adjusted, adjustable (when installed) closing force, closing speed, latching action and back check.

The closer is completely installed into the door leaf, the guide rail is only visible when the door is open.

For right and left closing doors, up to 130 kg leaf weight and up to 1100 mm leaf width

Finish: silver

#### Specification size 3-6

Integrated door closer GEZE Boxer with mechanical hold-open device<sup>1)</sup> for single-action doors, leaf depth from 50 mm, size 3-6 according to EN 1154 A guide rail with mechanical hold-open device, hold-open angle infinitely variable between 80° and approx. 120°, retaining force of hold-open device can be adjusted, adjustable (when installed) closing force, closing speed, latching action and back check.

The closer is completely installed into the door leaf, the guide rail is only visible when the door is open.

For right and left closing doors, up to 180 kg leaf weight and up to 1400 mm leaf width

Finish: silver

### NOVAS DOOR CONTROLS

GEZE Hydraulic door closers are designed to suit various residential and commercial applications. By definition, door closers are used to close hinged leaf doors after they have been manually opened. The smooth closing operation is controlled by the adjustable hydraulic rack and pinion mechanism.

In choosing a closer style for a particular application consideration should be given to the type of door being controlled, frame condition, aesthetic and the control features required by the end user.

The size and weight of the door is the main consideration in selecting a closer of the correct strength. Recommended door widths for each closer assume normal operating conditions. If a door is of exceptional height, weight, special construction, or if air pressure differentials exist, a more powerful closer should be considered.

A door closer effectively increases the loading on door hinges and their rate of wear. It is recommended that any door fitted with a door closer should use three or more Novas Ball Bearing/Sintered Bearing Hinges.

It is essential that the door be clear in the door frame and when fitted with a lock the latch bolt must engage freely with the strike.

Floor or wall mounted doorstops should be fitted to prevent possible damage to the door frame and fitted hardware.

#### **Services**

Novas offers a fully comprehensive (free of charge) specification/door scheduling service to meet project requirements. Door schedules are prepared by our scheduling team who are all design and/or industry trained professionals. Please contact your local Novas representative for assistance.

#### **Guarantee**

Novas guarantee all their products against defects in workmanship and materials subject to inspection and confirmation of fair wear and tear within the normal working life of the product.

Novas assumes no liability for:

1. Improper installation or failure to follow fitting instructions.
2. Product failure due to improper maintenance or unfair wear and tear.
3. Indirect or consequential loss or damage.
4. Cost of removal and/or replacement.
5. Cost of freight and/or travelling expenses.
6. Some plated finishes are classified as soft finishes. Deterioration is possible under some climatic conditions and cannot be unconditionally guaranteed.

Contact your local Novas representative or agent for advice on all finishes.